

RS-232 Communication Cable Bundle

Model DL-C3

User Manual

Overview

The DL-C3: RS-232 Communication Cable Bundle includes all the cables required to transmit data from your Eco Sensors digital instrument to a computer. The bundle includes a custom RS-232 Serial Data Cable and a USB-to-Serial Adapter. A multipurpose 2 GB USB drive includes all the required drivers as well as 3rd-party data logging software. Contact us at sales@ecosensors.com, or (800) 472-6626 for details.

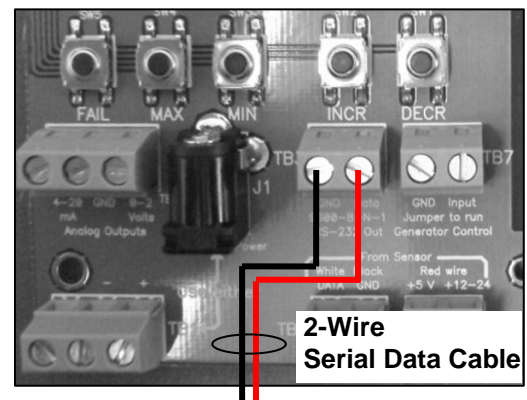
Software Setup:

- Connect Eco Sensors USB drive to Windows XP, Windows 7, or Apple OS X computer.
- Install drivers for the 3rd Party USB-to-Serial Adapter:
 - Open the USB drive and open the folder “USB-to-Serial Adapter Drivers”.
 - Windows:
 - Open the folder “Windows Drivers”.
 - Double click “PL2303_Prolific_DriverInstaller_v1.7.0” to run the installer.
 - Apple:
 - Open the folder “Apple Drivers”.
 - Double click “PL2303_1.4.0” to run the installer.
 - Follow the on-screen instructions.



Hardware Setup (Shown for OS-6):

- Disconnect power from the instrument.
- Connect the Serial Data Cable to the instrument by attaching the ground wire (black) to the instrument connector labeled GND and the data wire (red) to the instrument connector labeled DATA, as indicated in the figure.
- Connect the serial data cable to the USB-to-Serial adapter.
- Connect the USB-to-Serial adapter to the computer.
- Connect power to the instrument.



WARRANTY

This product is warranted against defects in materials and workmanship for one year following the date of purchase by the original owner. This warranty does not include damage to the product that results from misuse, accident, dropping, modifications or alterations, and it does not apply if the instructions in this manual are not followed, or if the unit is otherwise used outside its intended specifications.

If a defect develops during the warranty period, Eco Sensors, in its sole discretion, will repair the instrument or replace it with a new or reconditioned model of equivalent quality. In the event of replacement with a new or reconditioned instrument, the replacement unit will continue the warranty of the original unit.

If the product should become defective during the warranty period, please return it through your distributor, or call Eco Sensors at (800) 472-6626 or e-mail at sales@ecosensors.com to receive return instructions and a Return Materials Authorization (RMA) number.

Except as provided herein, Eco Sensors makes no warranties, express or implied, including warranties of merchantability and fitness for a particular purpose. Eco Sensors shall not be liable for loss of use of this instrument or other incidental or consequential damages, expenses or economic loss, or claims for such damage or economic loss.

RECORD YOUR SERIAL NUMBER HERE

KEEP THIS MANUAL AND WARRANTY FOR YOUR RECORDS.

Eco Sensors is a registered trademark of Eco Sensors, Division of KWJ Engineering, Inc.

© Eco Sensors, Division of KWJ Engineering, Inc. 2012.

For brochures, application and tech notes, and other useful information, visit our extensive website at www.ecosensors.com. E-mail us at sales@ecosensors.com.